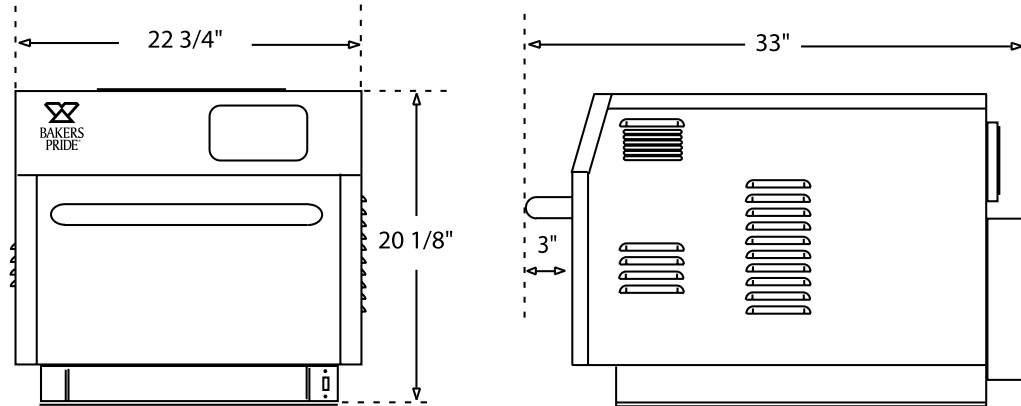




E300 SPEED OVEN

10.18.2017

EQUIPMENT DIMENSIONS



MECHANICAL SPECIFICATIONS

Model #	Overall Dim (W x H x D)	Cook Chamber Dimensions (W x H x D)	Ship Wt.
E300	22.75" x 20.12" x 33" (578 x 511 x 838)	15" x 8" x 14" (381 x 203 x 356)	

REQUIRED CLEARANCES

Left	2" (51 mm)
Right	2" (51 mm)
Back	2" (51 mm)
Top	2" (51 mm)

POWER SUPPLY

Model #	Service Amps	Amps	Voltage	Phase	HZ	Plug Configuration (NEMA)
E300	30	26	208/240	1	60	6-30P

ACCESSORIES

- Large and small peels
- Solid and perforated cooking baskets
- Cleaner and shield
- Accessory rack kit with legs
- Legs kit
- Silar panini rack
- Aluminum grill plate
- Stacking kit
- Cooking rack
- Metiorite® Pizza Stone

Compliance with UL 710B using EPA Method 202. Ventless certification is for all food items except for foods classified as "fatty raw proteins." Such foods include bone-in, skin-on chicken, raw hamburger meat, raw bacon, raw sausage, steaks, etc. If cooking these types of foods, consult local HVAC codes and authorities to ensure compliance with ventilation requirements.



Freight Class: 110

www.bakerspride.com | p: 800.431.2745



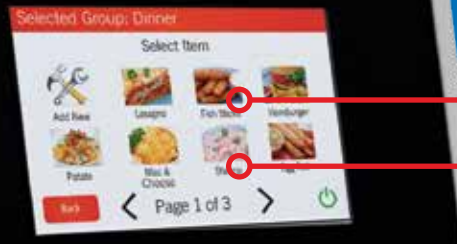
1307 N. Watters Rd. Suite 180 Allen TX, 75013



HEARTHBAKE SERIES COUNTERTOP SPEED OVEN SERIES: E300



BUILT BY CRAFTSMEN. TESTED BY TIME®



SIMPLE & FAST

Menu flexibility. Control and manage up to 384 recipes with six programmable phases that provide flexibility with proteins, vegetables, and baked goods.

Simple operation. The touch screen menu is easy to navigate so you can find the right recipe, right away.

Ventless operation. The ventless system allows the oven to be used anywhere.

Simple cleaning. Removable jet plates allow access to the entire cavity. Coated microwave windows and stainless steel make cleaning easy.

Simply amazing! The optional Meteorite® cooking stone provides excellent distribution of heat and retains that heat for much longer than traditional stones, saving you time and money.

The Bakers Pride® E300 Hearthbake E300 series combines enhanced microwave power and top and bottom air impingement to provide menu flexibility and impressive cooking speed in a small footprint. The side-launch microwaves allow for metal pans, and the air speed is adjustable (from 10–100%) so you can cook, reheat, bake, or brown any combination of proteins, vegetables, or baked goods—all with superior results.

Program up to 384 recipes with six cooking steps each from the easy-to-navigate, touchscreen display, or update menus and firmware via USB port. Removable jet plates and smooth, all stainless surfaces throughout allow for easy cleaning. Overall, the E300 is a perfect choice for high-volume and quick-serve restaurants, hotels, grocery delis, coffee shops, and pubs.



COOK TIMES

Breakfast Sandwich	0:30
Nachos Grande	1:00
Chicken Wings (frozen)	2:30
8" Sub Sandwich	0:45
14" Pizza (frozen thin crust)	1:30

CALL OR VISIT THE BAKERS PRIDE E300 SPEED OVEN WEBSITE TO LEARN MORE.

800.431.2745

BPSPEEDOVEN.COM