



HEARTHBAKE SERIES COUNTERTOP SPEED OVEN

SERIES: E300



The Bakers Pride® Hearthbake E300 series combines enhanced microwave power with top and bottom air impingement to provide menu flexibility and impressive cooking speed in a small footprint. The side-launch microwaves allow for metal pans, and the air speed is adjustable (from 10–100%) so you can cook, reheat, bake, or brown any combination of proteins, vegetables, or baked goods—all with superior results. Program up to 384 recipes with six cooking steps each from the easy-to-navigate, touchscreen display, or update menus and firmware via USB port. Removable jet plates and smooth, all stainless steel surfaces throughout allow for easy cleaning. Overall, the E300 is a perfect choice for high-volume and quick-serve restaurants, hotels, grocery delis, coffee shops, and pubs.

FEATURES AT A GLANCE

- Ventless operation
- Top and bottom air impingement and microwave technology
- Incredible menu flexibility
- 150–525°F (65–273°C) temperature range
- Cool-touch doors and exterior surfaces
- Adjustable impingement air speed from 10–100% with 10% increments
- Increased air speed for superior browning
- 10% more microwave power for quicker cook times
- Side-launch microwave design accepts metal pans
- Full-color touchscreen display with 16 groups, 24 items per group = 384 recipes
- Update menus and firmware via USB port
- Removable top and bottom jet plates
- Smooth, all stainless steel surfaces
- Stackable

OPTIONS & ACCESSORIES

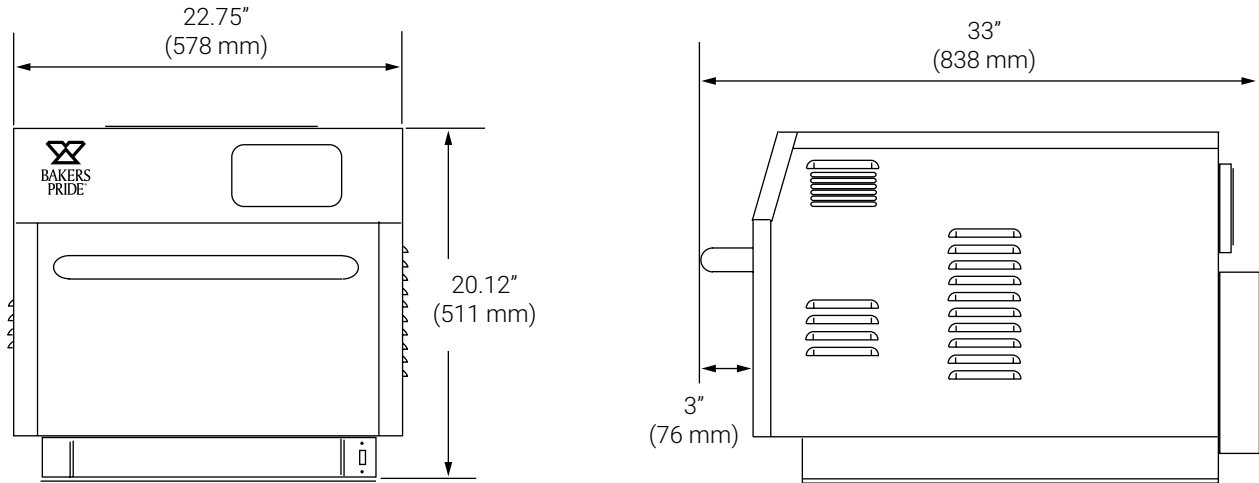
- Medium solid tray
- Medium perforated tray
- Medium spatula/peel
- Small spatula/peel
- Oven cleaner 32 oz.
- Oven shield 32 oz.
- Leg kit 4"
- Accessory rack kit with legs
- Panini rack silar
- Aluminum grill plate grooved
- Round Meteorite stone 1/2" (13 mm) 1/4" (6 mm) thick
- Stacking kit pad and bracket



HEARTHBAKE SERIES COUNTERTOP SPEED OVEN

SERIES: E300

EQUIPMENT DIMENSIONS



MECHANICAL SPECIFICATIONS

Model #	Overall Dim (W x H x D)	Cook Chamber Dimensions (W x H x D)	Carton Dim (W x H x D)	Cubic Feet	Cubic Feet	Ship Wt.
E300	22.75" x 20.12" x 33" (578 x 511 x 838)	15" x 8" x 14" (381 x 203 x 356)		1		175 (79 kg)

POWER SUPPLY

Model #	Service Amps	Amps	Voltage	Phase	HZ	Plug Configuration (NEMA)
E300	30	26	208/240	1	60	6-30P

Compliance with UL 710B using EPA Method 202. Ventless certification is for all food items except for foods classified as "fatty raw proteins." Such foods include bone-in, skin-on chicken, raw hamburger meat, raw bacon, raw sausage, steaks, etc. If cooking these types of foods, consult local HVAC codes and authorities to ensure compliance with ventilation requirements.

ACCESSORIES

- Large and small peels
- Solid and perforated cooking baskets
- Cleaner and shield
- Accessory rack kit with legs
- Legs kit
- Silar panini rack
- Aluminum grill plate
- Stacking kit
- Cooking rack
- Metiorite® Pizza Stone

REQUIRED CLEARANCES

Left	2" (51 mm)
Right	2" (51 mm)
Back	2" (51 mm)
Top	2" (51 mm)



Freight Class: 110
FOB: Allen, 75013

Bakers Pride reserves the right to modify specifications or discontinue models without incurring obligation. Dimensions nominal.

6.15.2017

